

# **Power-Flite**<sup>®</sup>

**COMMERCIAL FLOOR CARE EQUIPMENT**

## **Model PF 2030 Wide Area Vacuum Cleaner**

### **OPERATING INSTRUCTIONS**

COMMERCIAL WIDE AREA  
SWEEPER VACUUM

#### **CONGRATULATIONS**

YOU HAVE JUST ACQUIRED A HIGH QUALITY VACUUM  
CLEANER. PLEASE READ THIS MANUAL CAREFULLY,  
BEFORE OPERATING YOUR NEW VACUUM CLEANER.  
KEEP MANUAL ON HAND FOR FURTHER REFERENCES.



**Save These Instructions**

# SAVE THESE INSTRUCTIONS FOR FUTURE REFERENCE

\*When using an electrical wide area vacuum cleaner, basic precautions should be followed.

\*Read all instructions before using vacuum cleaner.

## WARNING

### IMPORTANT SAFETY INSTRUCTIONS:

**WARNING:** To reduce the risk of fire, electric shock or injury:

FOR COMMERCIAL USE ONLY.

Do not leave machine unattended when plugged in. Unplug from outlet when not in use and before changing bags or attempting any maintenance or adjustment.

To avoid electrical shock, Use indoors only. Do not use outdoors and do not expose to rain.

Use only as described in this manual. Use only manufacturer's recommended attachments.

Do not use with damaged cord or plug.

If machine is not working as it should, has been dropped, damaged, left outdoors, or dropped into water, return it to a service center.

Do not pull or carry by cord, use cord as a handle, close a door on cord, or pull cord around sharp edges or corners. Do not run machine over cord. Keep cord away from heated surfaces. Do not unplug by pulling on cord. To unplug, grasp the plug not the cord. Do not handle plug or machine with wet hands.

Keep hair, loose clothing, fingers, and all parts of body away from openings and moving parts.

Turn off all controls before unplugging.

Connect to a properly grounded outlet only. See Grounding Instructions.

Do not put hands under base-rotating parts could cause injury. Always keep hands feet and loose fitting clothing away from moving parts to prevent possible injuries. Use care to keep electrical supply cable from contacting moving parts, such as floor brushes.

Risk of explosion: Use this machine only in a well ventilated area, free from any flame or match. Do not use machine in areas where flammable and/or explosive vapors or dust are present.

Make sure voltage and frequency at the wall power receptacle correspond with that indicated on name plate before plugging in machine. A 20 amp circuit is recommended.

Never use a device to lock the switch lever in the ON position.

Use only a 12 Ga. Three-wire extension cable which have 3-prong grounding type plugs and 3-prong receptacles that accept the machine's plug.

## SAFETY PRECAUTIONS

### BEFORE OPERATING MACHINE

**WARNING:** Failure to adhere to these instructions could result in serious bodily injury or property damage.

Read this manual completely before attempting to operate machine. This manual has important information for the use and safe operation of the machine. Keep this manual on file and handy.

### GROUNDING INSTRUCTIONS

**WARNING:** Improper connection of the equipment-grounding conductor can result in a risk of electric shock. Check with a qualified electrician or service person if you are in doubt as to whether the outlet is properly grounded. Do not modify the plug provided with the appliance-if it will not fit the outlet, have a proper outlet installed by a qualified electrician.

This appliance must be grounded. If it should malfunction or breakdown, grounding provides a path of least resistance for electric current to reduce the risk of electric shock. This machine is equipped with a cord having an equipment-grounding conductor and grounding plug. The plug must be inserted into an appropriate outlet that is properly installed and grounded in accordance with all local codes and ordinances.

This appliance is for use on a nominal 120-volt circuit, and has a grounding plug that looks like the plug illustrated in sketch A. A temporary adapter that looks like the adapter illustrated in sketches B and C may be used to connect this plug to a 2-pole receptacle (sketch B) if a properly grounded outlet is not available. The temporary adapter should be used only until a properly grounded outlet (sketch A) can be installed by a qualified electrician. The green-colored rigid ear, lug, or tab extending from the adapter must be connected to a permanent ground such as a properly grounded outlet box cover. Whenever the adapter is used, it must be held in place by a metal screw.

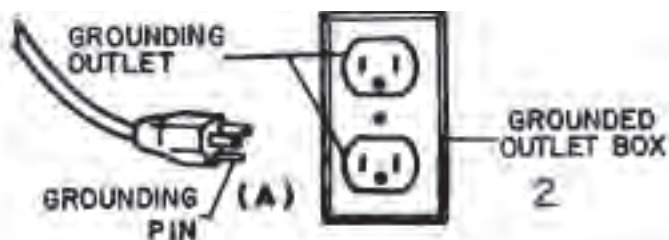
**NOTE:** In Canada, the use of a temporary adapter is not permitted by the Canadian Electrical Code.

### EXTENSION CORD

If an extension cord is used, use only a three wire 12 gauge extension cord that has three prong grounding type plugs and three prong receptacles that accept the machine's plug. This machine is equipped with a 14 gauge power cord. Replace or repair all damaged cords.

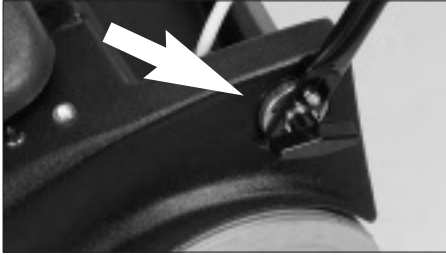
### WHEN THE MACHINE IS DELIVERED

If machine is damaged, notify the carrier immediately and request an inspection. Be sure to keep the carton, packing inserts, packing lists, and carrier's receipt until the inspector has verified your claim.



## ASSEMBLY INSTRUCTIONS

1. Loosen handle pivot knobs and adjust handle to comfortable operation height.
2. Tighten knobs to lock handle in place.



### BAG INSTALLATION INSTRUCTIONS:

1. Open Wide Area Vacuum lid.
2. Unzip cloth bag and install paper bag inside.
3. Attach both bag openings together onto vacuum intake housing.
4. Make sure bag is properly deployed inside machine housing.
5. Completely close zipper on cloth bag and close lid of machine.



### BRUSH HEIGHT ADJUSTMENT:

1. This machine has 5 brush adjustment levels.
2. To raise brush height level: lift up height adjustment bar until desired brush height is attained.
3. To lower brush height level: push down on height adjustment bar until desired brush height is attained.



## OPERATION OF MACHINE

1. Depress foot switch (located at rear left of machine) to turn on machine.
2. To operate brush squeeze trigger bar.
3. Adjust height for proper pick-up.



### FILTER REPLACEMENT:

1. Remove filter cover screws at back of machine.
2. Remove the two nuts holding filter onto machine.
3. Replace filter in proper position and tighten nuts.
4. Reinstall filter cover.

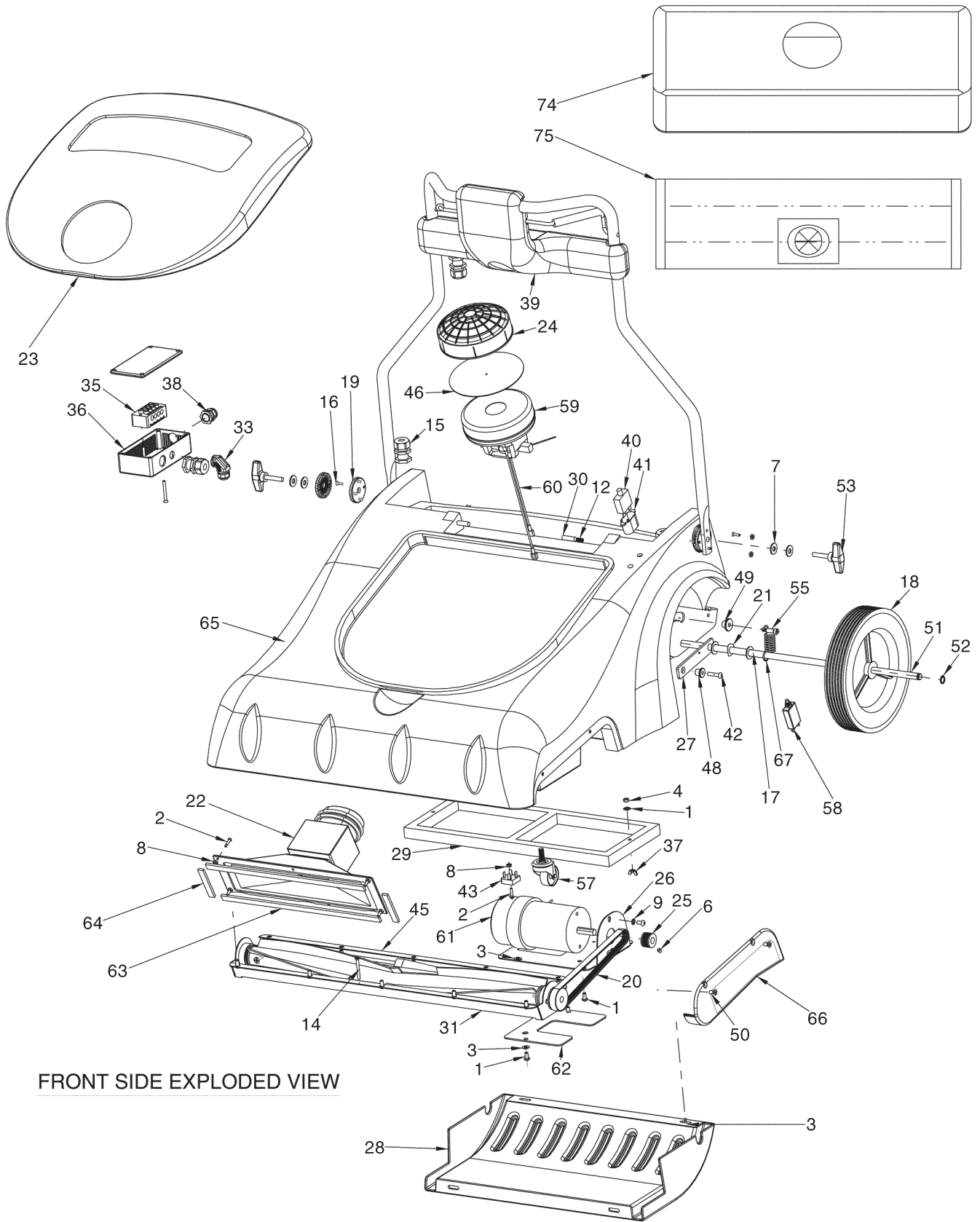


### BELT ADJUSTMENT

1. Remove belt cover on left side of machine.
2. Loosen the two motor belt adjusting screws on motor bracket.
3. Remove belt.
4. Install new belt and reposition motor to eliminate excess slack.
5. Once proper tension is set, tighten motor adjusting screws.
6. Replace belt cover on side of machine.



# Model Parts



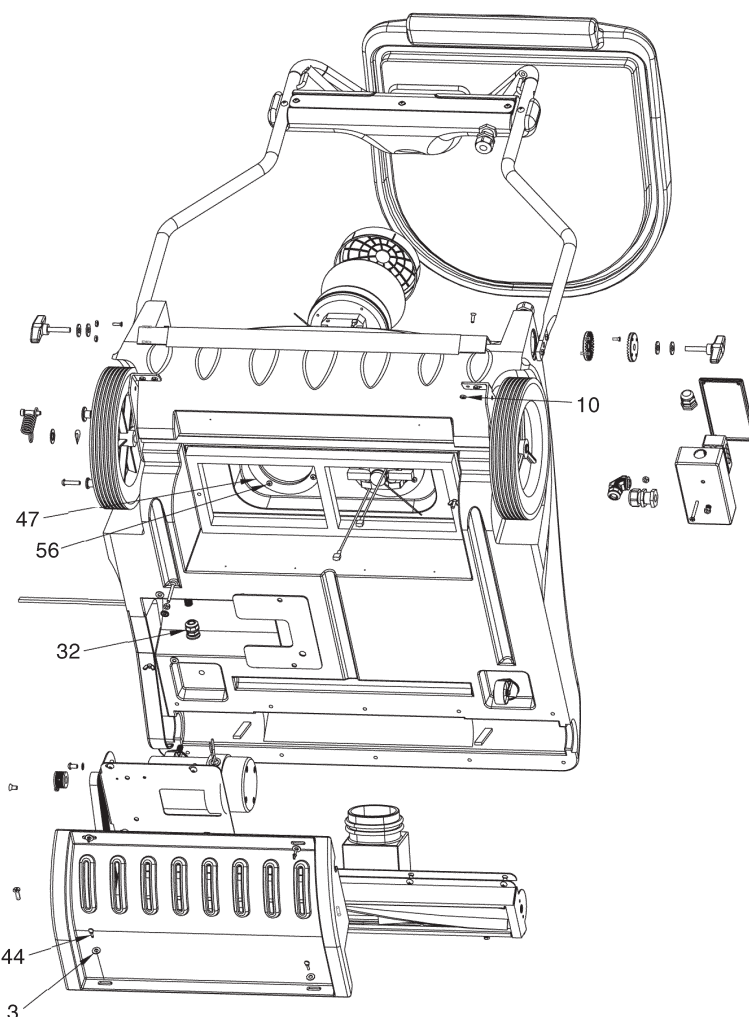
FRONT SIDE EXPLODED VIEW

## Model Parts

ref #	item #	description
1	0086	SCREW-PHILLIPS ROUND HEAD MACHINE 1/4-20 X 1/2
2	00600	SCREW-SLOTTED ROUND HEAD MACHINE #8-32 x 3/4
3	00851	WASHER-PLAIN 1/4"
4	01604	NUT-FINISHED HEX #10-32
5	01993	SCREW-PHILLIPS FLAT HEAD MACHINE #10-24 X 5/8
6	02011	SET SCREW, BRUSH PULLEY
7	02568	WASHER-PLAIN 5/16
8	02956	NUT-HEX. LOCK(KEPS)#8-32
9	07870	WASHER-LOCK(I/T)1/4"
10	10894	NUT-HEX.LOCK(P/T)
11	11385	WASHER-SEALING
12	15357	SPRING-LATCH RELEASE
13	16035	SWITCH.ON/OFF
14	16433	SCREW-PHILLIPS FLAT HEAD MACHINE #10-32 X 1-3/4
15	18793	STRAIN RELIEF (LIQ. TITE)
16	19255	SCREW-FLAT HEAD #8-32 X 1/2"
17	19616	WASHER-PLAIN .563
18	19797	WHEEL, 10"PLSTC.HUB 125LB
19	19798	BRACKET GRVD HANDLE
20	19802	BELT, BRUSH DRIVE-POLY
21	19818	SPRING, 1/2 CURVED (VEND)
22	19822	INTAKE DUCT
23	19832	LID, MOLDED
24	19834	FILTER VAC INTAKE
25	19835	PULLEY, BRUSH DRIVE MOTOR
26	19836	MOUNT, BRUSH MOTOR(STEEL)
27	19841	ARM, WHEEL PIVOT-3/16 X 1
28	19854	COVER EXHAUST.13" NOM.THK
29	19855	FILTER, WAV EXHAUST
30	19864	PIN,LID HINGE-STEEL.340"
31	19870	ASS'Y BRUSH
32	19875	FITTING STRAIGHT (BLK PLSTC)
33	19876	FITTING, ELBOW (FOR CABLE)
34	19878	CONDUIT-CABLE 10" LG.
35	19879	BLOCK TERMINAL
36	19880	BOX - ELECTRICAL
37	19975	NUT-WING (10-32) ZINC PL
38	19977	STRAIN RELIEF (PLASTIC)
39	19984	ASS'Y HANDLE
40	19990	CIRCUIT BREAKER
41	19991	BOOT, RUBBER-ELEC. CONNECT
42	19999	SCREW-PHILLIPS ROUND HEAD MACHINE 1/4-20 X 1-1/8
43	24185	RECTIFIER 60 AMP
44	30018	SCREW- THUMB W/ SHOULDER #10-32 X 1/2"
45	30077	GASKET - SHOE (POLY FOAM)
46	30088	FILTER-PRE
47	30089	GASKET-MOTOR (POLY FOAM)
48	30461	SLEEVE PIVOT .5"
49	30464	SLEEVE-PIVOT(LRG).312"ID
50	30467	SCREW-PHIL. FLAT HD MACH
51	30491	ASS'Y AXLE WHEEL
52	30507	SNAP RING 1/2" EXTERNAL
53	30558	KNOB HANDLE

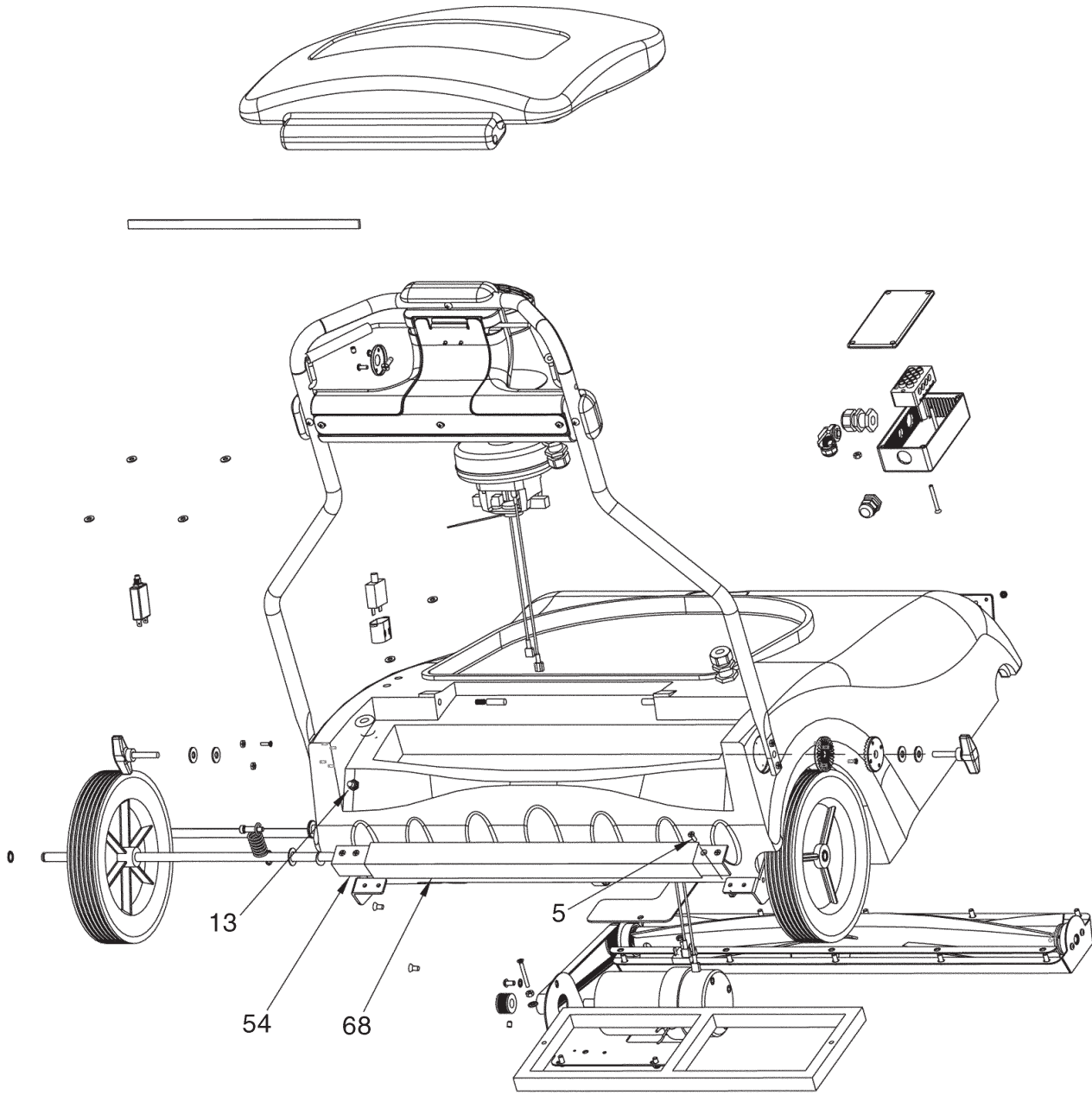
ref #	item #	description
54	30595	PEDAL-FOOT ADJ. (STEEL)
55	30617	SCREW-SOCKET HD SHOULDER 5/16D x 1-1/2
56	30620	SCREW-PHILLIPS PAN HEAD TAPTITE #10-16 x 3/4
57	31209	WHEEL, CASTER
58	31236	CIRCUIT BREAKER, 3 AMPS
59	31540	MOTOR-VACUUM (120V)
60	31544	LEAD WIRE-9" (BLACK)
61	32419	MOTOR-BRUSH 115VDC
62	32456	PLATE-MOTOR COVER (WAV)
63	32895	GASKET- NEOPRENE
64	32896	GASKET- NEOPRENE
65	33036	CHASSIS, MAIN-ROTO MOLDED
66	33057	WIDE AREA VAC BELT COVER
67	30466	ASSEM SPRING TENSION
68	30596	FORMED COVER PEDAL
73	19473	CORD-POWER (115V) 14/3 75' (MALE PLUG) YELLOW
74	19816	BAG, CLOTH
75	90701	BAG-PAPER, DISPOS-10 PACK
76	18706	WIRE TIES 15" BLACK
77	30008	DECAL, WIRING
78	30017	WIRING HARNESS-MAIN BODY
79	30078	GASKET-HOOD 54" (L-200)
81	30618	DECAL-CARPET LEVEL
82	15245	TERMINAL-RING #10-16/14GA (INS)

**BOTTOM-RIGHT SIDE  
EXPLODED VIEW**

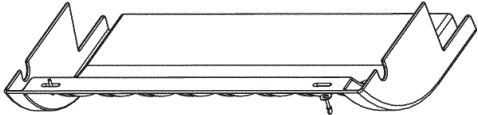




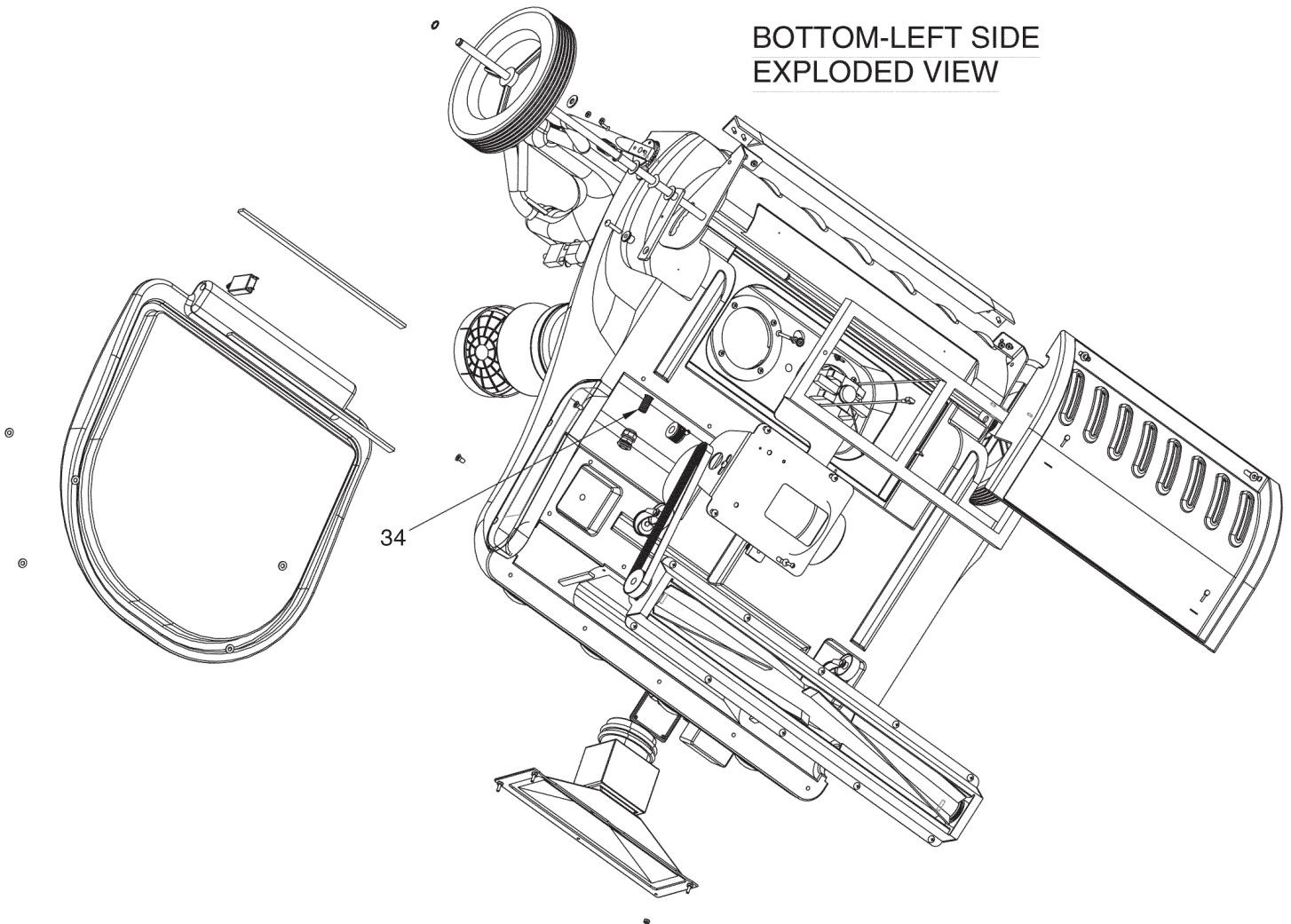
**Model Parts**



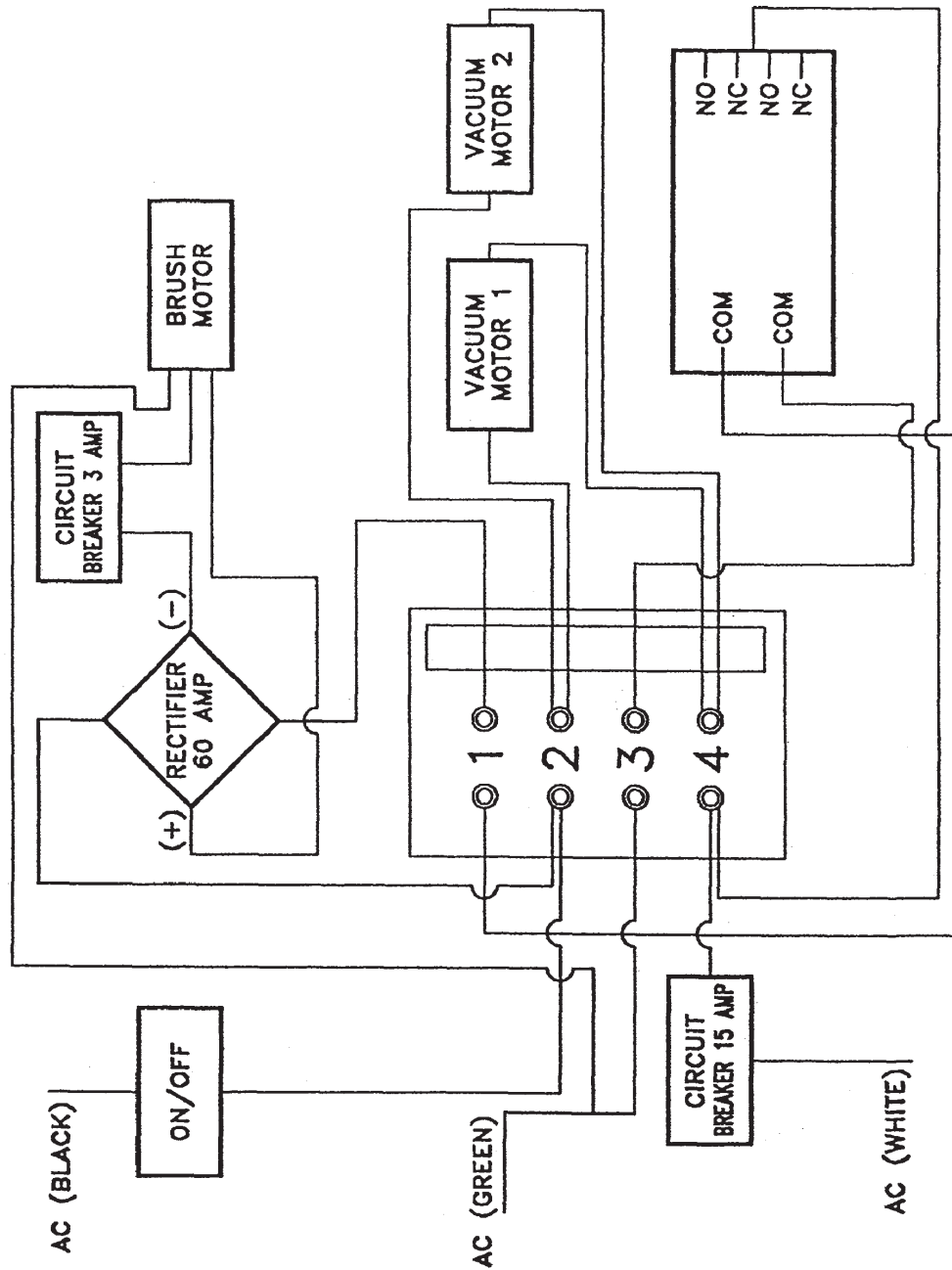
**BACK SIDE  
EXPLODED VIEW**



BOTTOM-LEFT SIDE  
EXPLODED VIEW



## Model Wiring



### *The Limited Warranty*

The manufacturer warrants to the original purchaser that products manufactured are free from defects, provided such goods are installed, operated and maintained in accordance with written manuals or other instructions for a period of 1 year from date of purchase on workmanship, motor, and parts. In case you, as our customer, meet any trouble with your machine, contact a representative, who will be happy to be of service to you and will take care of any warranty issues.



A Tacony Company.  
3101 Wichita Court  
Fort Worth, Texas 76140  
1-800-880-2913