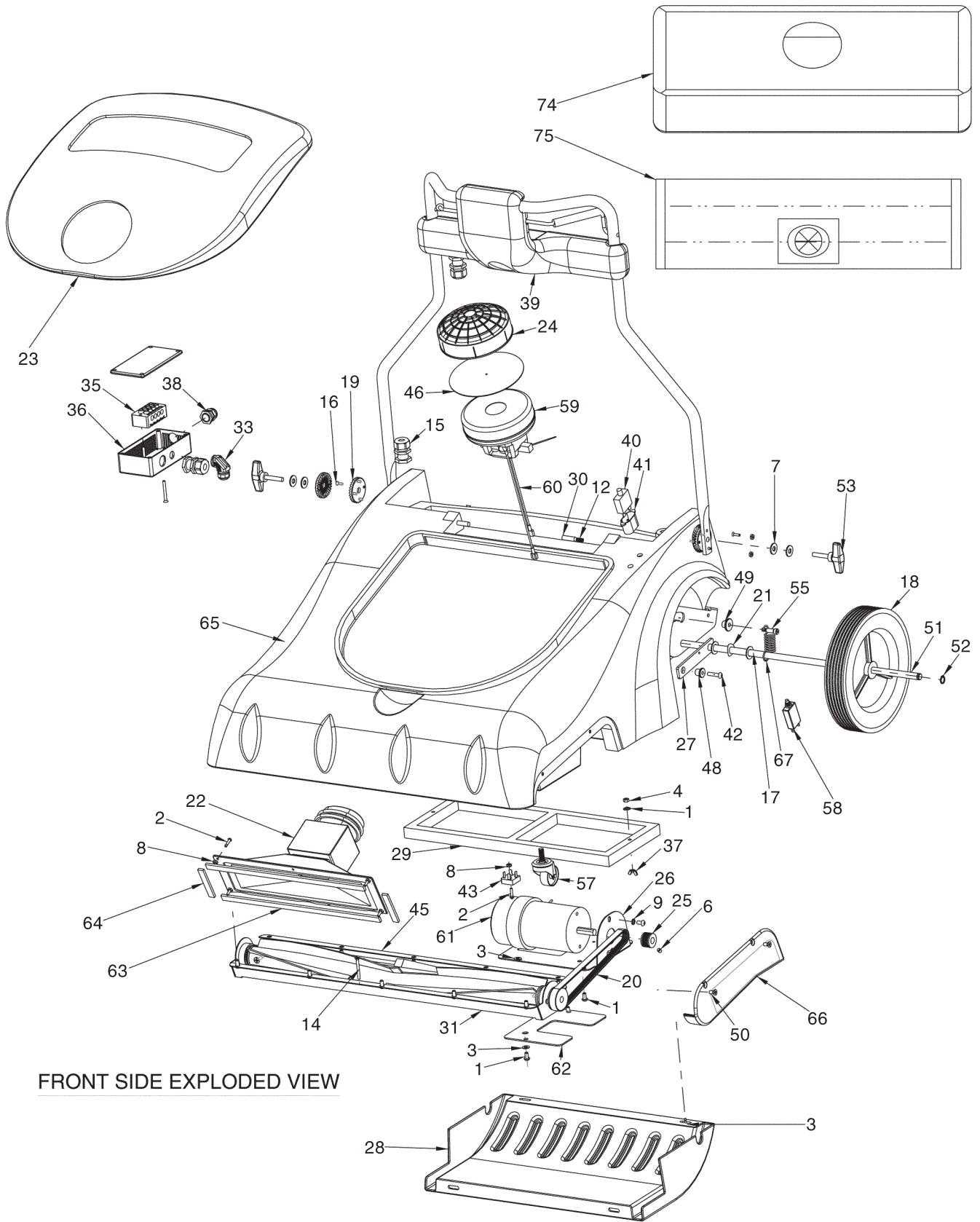


Model Parts



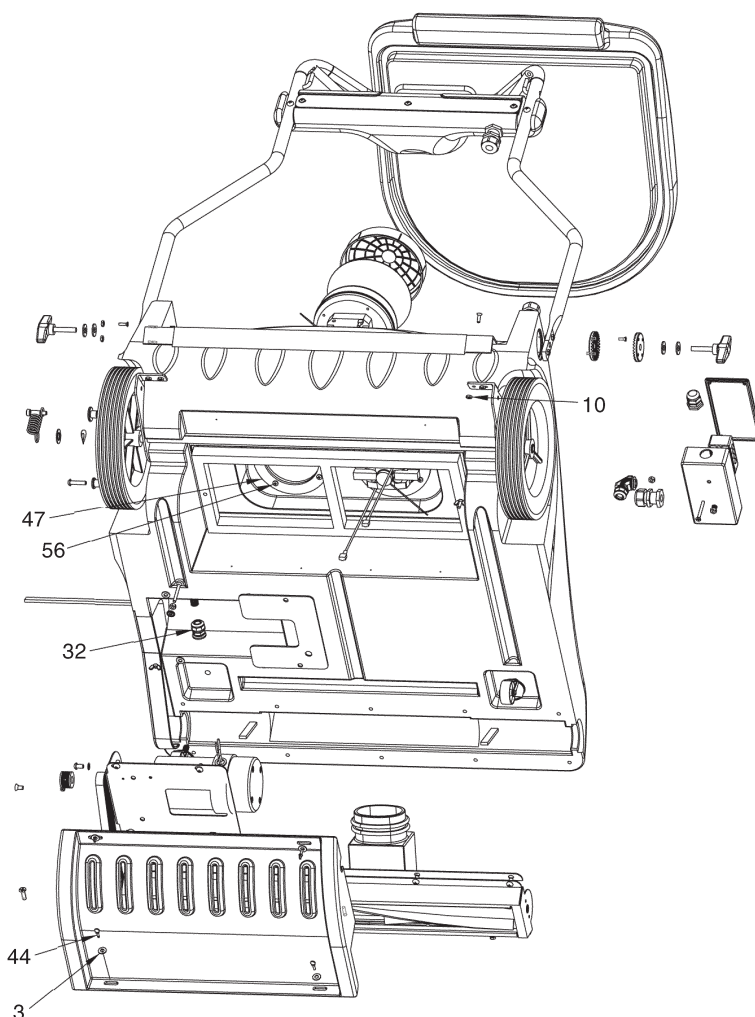
FRONT SIDE EXPLODED VIEW

Model Parts

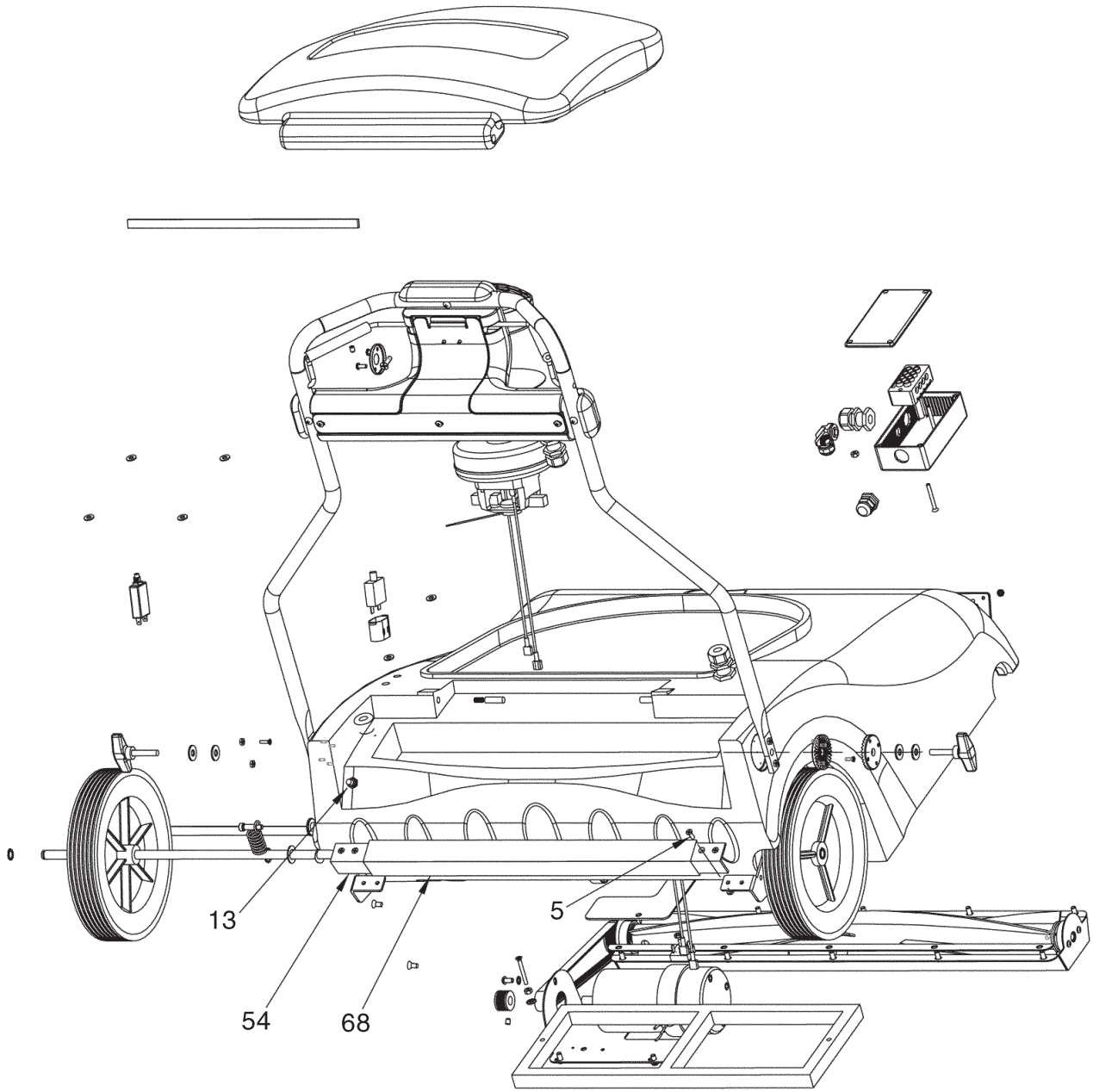
ref #	item #	description
1	0086	SCREW-PHILLIPS ROUND HEAD MACHINE 1/4-20 X 1/2
2	00600	SCREW-SLOTTED ROUND HEAD MACHINE #8-32 x 3/4
3	00851	WASHER-PLAIN 1/4"
4	01604	NUT-FINISHED HEX #10-32
5	01993	SCREW-PHILLIPS FLAT HEAD MACHINE #10-24 X 5/8
6	02011	SET SCREW, BRUSH PULLEY
7	02568	WASHER-PLAIN 5/16
8	02956	NUT-HEX. LOCK(KEPS)#8-32
9	07870	WASHER-LOCK(I/T)1/4"
10	10894	NUT-HEX.LOCK(P/T)
11	11385	WASHER-SEALING
12	15357	SPRING-LATCH RELEASE
13	16035	SWITCH.ON/OFF
14	16433	SCREW-PHILLIPS FLAT HEAD MACHINE #10-32 X 1-3/4
15	18793	STRAIN RELIEF (LIQ. TITE)
16	19255	SCREW-FLAT HEAD #8-32 X 1/2"
17	19616	WASHER-PLAIN .563
18	19797	WHEEL, 10"PLSTC.HUB 125LB
19	19798	BRACKET GRVD HANDLE
20	19802	BELT, BRUSH DRIVE-POLY
21	19818	SPRING, 1/2 CURVED (VEND)
22	19822	INTAKE DUCT
23	19832	LID, MOLDED
24	19834	FILTER VAC INTAKE
25	19835	PULLEY, BRUSH DRIVE MOTOR
26	19836	MOUNT, BRUSH MOTOR(STEEL)
27	19841	ARM, WHEEL PIVOT-3/16 X 1
28	19854	COVER EXHAUST.13" NOM.THK
29	19855	FILTER, WAV EXHAUST
30	19864	PIN,LID HINGE-STEEL.340"
31	19870	ASS'Y BRUSH
32	19875	FITTING STRAIGHT (BLK PLSTC)
33	19876	FITTING, ELBOW (FOR CABLE)
34	19878	CONDUIT-CABLE 10" LG.
35	19879	BLOCK TERMINAL
36	19880	BOX - ELECTRICAL
37	19975	NUT-WING (10-32) ZINC PL
38	19977	STRAIN RELIEF (PLASTIC)
39	19984	ASS'Y HANDLE
40	19990	CIRCUIT BREAKER
41	19991	BOOT, RUBBER-ELEC. CONNECT
42	19999	SCREW-PHILLIPS ROUND HEAD MACHINE 1/4-20 X 1-1/8
43	24185	RECTIFIER 60 AMP
44	30018	SCREW- THUMB W/ SHOULDER #10-32 X 1/2"
45	30077	GASKET - SHOE (POLY FOAM)
46	30088	FILTER-PRE
47	30089	GASKET-MOTOR (POLY FOAM)
48	30461	SLEEVE PIVOT .5"
49	30464	SLEEVE-PIVOT(LRG).312"ID
50	30467	SCREW-PHIL. FLAT HD MACH
51	30491	ASS'Y AXLE WHEEL
52	30507	SNAP RING 1/2" EXTERNAL
53	30558	KNOB HANDLE

ref #	item #	description
54	30595	PEDAL-FOOT ADJ. (STEEL)
55	30617	SCREW-SOCKET HD SHOULDER 5/16D x 1-1/2
56	30620	SCREW-PHILLIPS PAN HEAD TAPTITE #10-16 x 3/4
57	31209	WHEEL, CASTER
58	31236	CIRCUIT BREAKER, 3 AMPS
59	31540	MOTOR-VACUUM (120V)
60	31544	LEAD WIRE-9" (BLACK)
61	32419	MOTOR-BRUSH 115VDC
62	32456	PLATE-MOTOR COVER (WAV)
63	32895	GASKET- NEOPRENE
64	32896	GASKET- NEOPRENE
65	33036	CHASSIS, MAIN-ROTO MOLDED
66	33057	WIDE AREA VAC BELT COVER
67	30466	ASSEM SPRING TENSION
68	30596	FORMED COVER PEDAL
73	19473	CORD-POWER (115V) 14/3 75' (MALE PLUG) YELLOW
74	19816	BAG, CLOTH
75	90701	BAG-PAPER, DISPOS-10 PACK
76	18706	WIRE TIES 15" BLACK
77	30008	DECAL, WIRING
78	30017	WIRING HARNESS-MAIN BODY
79	30078	GASKET-HOOD 54" (L-200)
81	30618	DECAL-CARPET LEVEL
82	15245	TERMINAL-RING #10-16/14GA (INS)

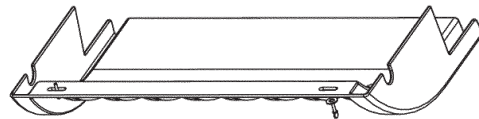
**BOTTOM-RIGHT SIDE
EXPLODED VIEW**



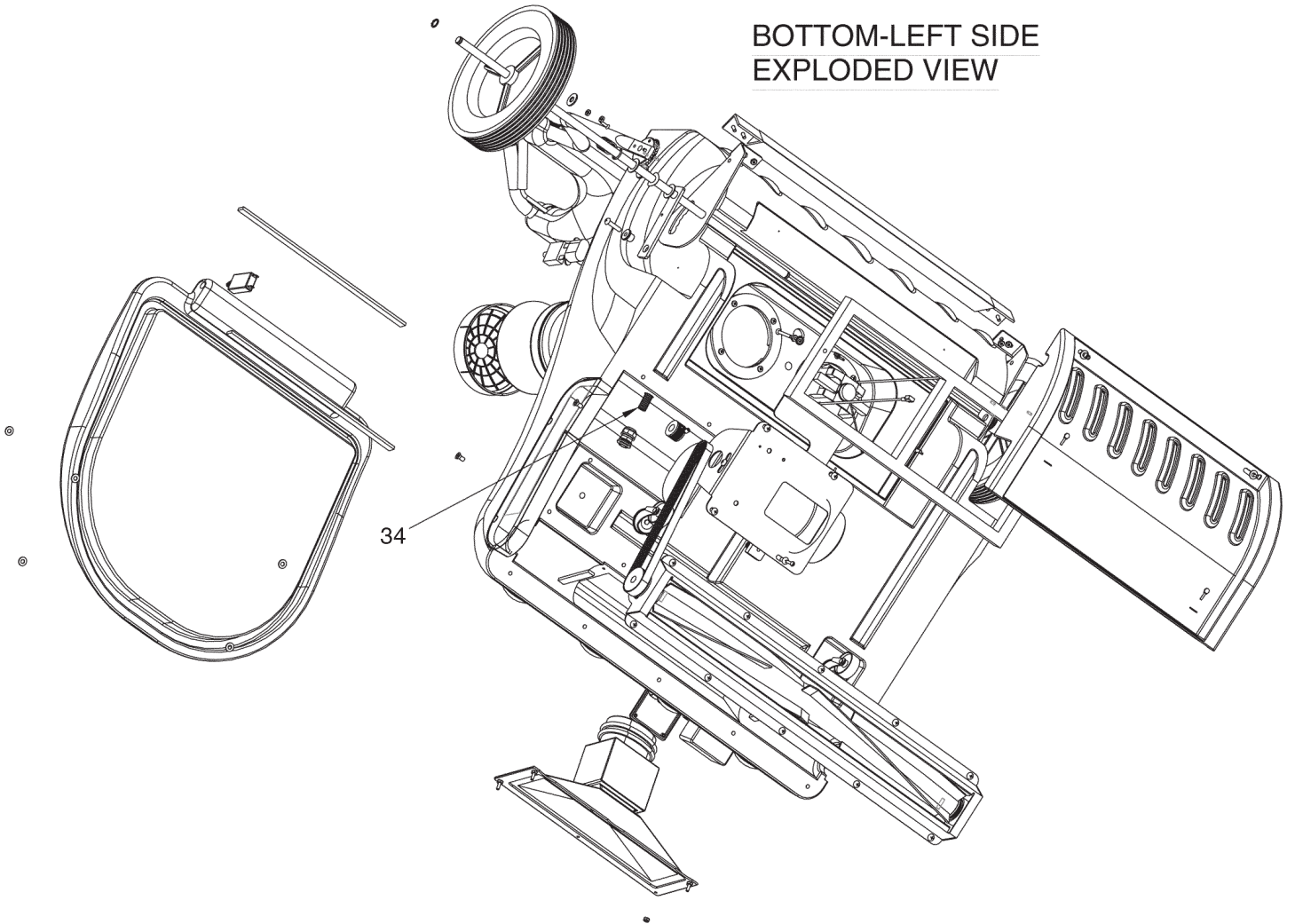
Model Parts



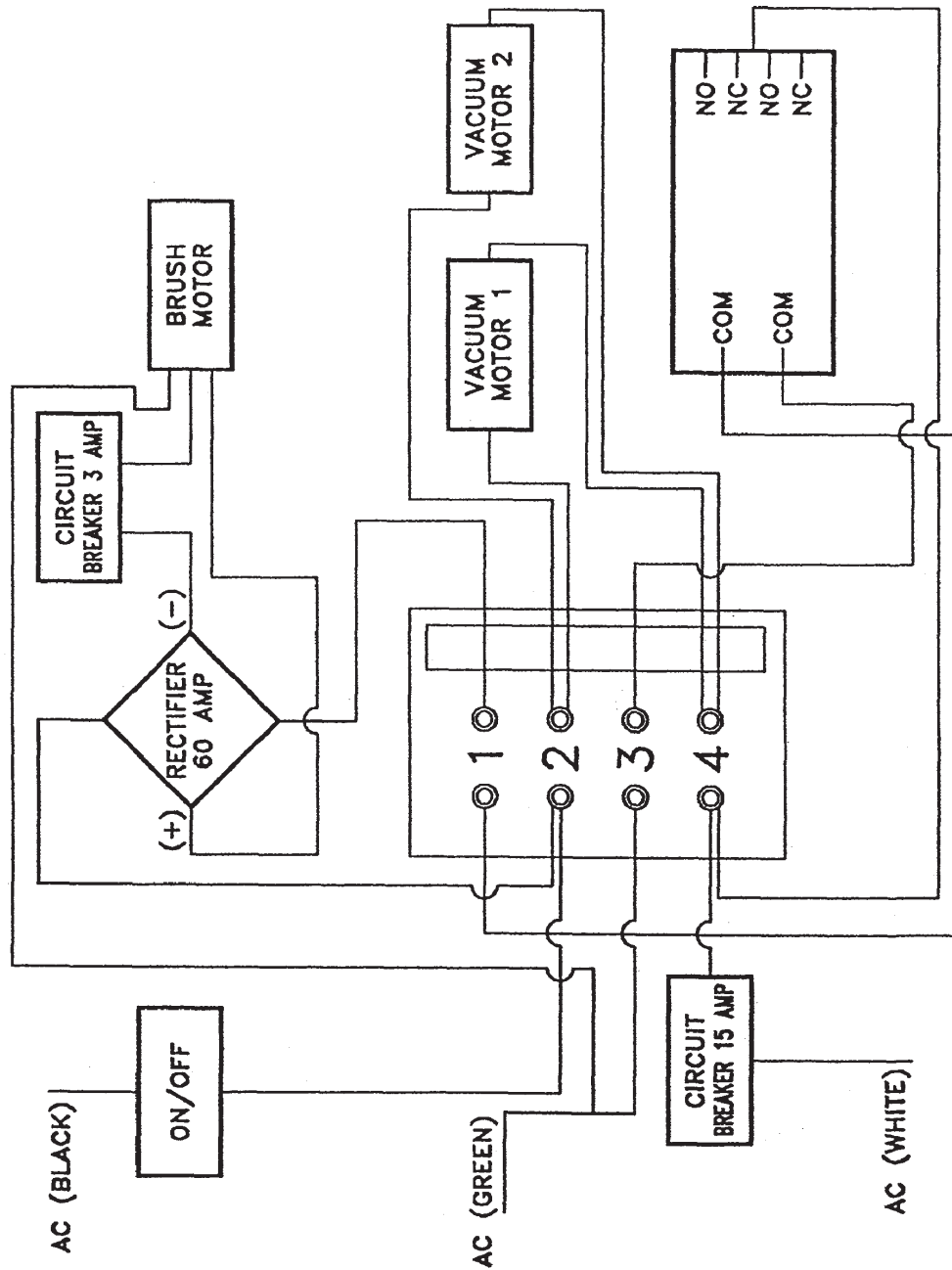
**BACK SIDE
EXPLODED VIEW**



BOTTOM-LEFT SIDE
EXPLODED VIEW



Model Wiring



The Limited Warranty

The manufacturer warrants to the original purchaser that products manufactured are free from defects, provided such goods are installed, operated and maintained in accordance with written manuals or other instructions for a period of 1 year from date of purchase on workmanship, motor, and parts. In case you, as our customer, meet any trouble with your machine, contact a representative, who will be happy to be of service to you and will take care of any warranty issues.

Power-Flite
COMMERCIAL FLOOR CARE EQUIPMENT

A Tacony Company.
 3101 Wichita Court
 Fort Worth, Texas 76140
 1-800-880-2913